

KBI[®] DIESELMATIC[®] NVT[™]

New Valve Technology

The Intelligent Engine Starting Fluid Injection System for Today's "Smart" Diesel Engines

EXCLUSIVE FEATURES OF DIESELMATIC NVT

Compatible with ECM Engines

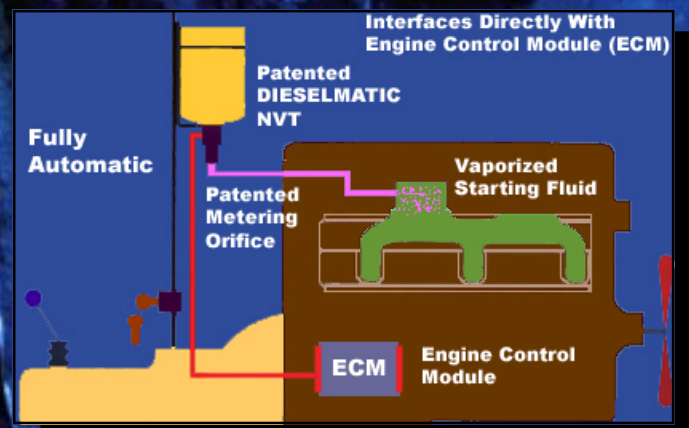
- Direct Interface with Engine ECM
- Low Current Draw
- Voltage Transient Suppression
- Non-Polarity Sensitive

Engineered for Reliability

- Solenoid Valve is Now Sealed from Environment
- O-Ring Cylinder/Valve Seal
- Encapsulated Coil
- All Brass Threaded Connections
- Field-serviceable Metering Orifice/Filter

Designed for Superior Performance

- Automatically Activated by Engine Control Module (ECM)
- Injects Starting Fluid Precisely
- Absolutely No Operator Intervention



Features and Benefits Exclusive to DIESELMATIC NVT

Low Current Consumption, 1.3 or < amps

Allows direct interface to an Engines' ECM.

Voltage Transient Suppression

Eliminate "fly-back" voltage spikes from collapse of field in coil.
Also allows the NVT to be compatible with other vehicle electronics.

Synthetic Ruby Metering Orifice

Results in higher manufacturing tolerance and longer service life.

Insert Molded Brass Fittings

Reduces frequency of "cross-threading" and is corrosion resistant.

"O"-Ring Seal Bottle Connection

Eliminate compression seal (gasket) deficiencies.

Encapsulated Coil

Eliminate vibration and corrosion issues associated with coil failures.

Molded Wire Strain Relief

Sealed connection between wire leads and solenoid coil wires.

On/Off Ether Flow on Demand

Eliminate residual/reservoir shot of ether.

Integral Metering Orifice

Longer service life and allows for use of standard fitting; is tamper resistant.

Internal, Primary Filter

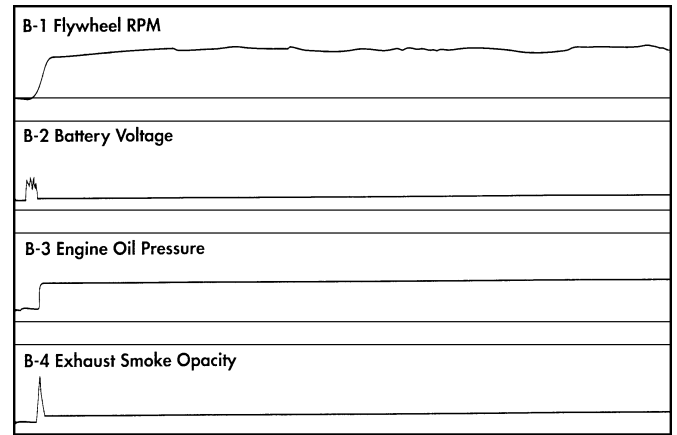
Increase the service life of the valve assembly.

DIESELMATIC NVT System Kits are for engine size 3.7 - 19.67 liters (226-1200 CID). Kits are fully engineered with electrical components equipped with OEM quality weatherproof connectors and a universal wiring harness to accommodate all installations (no additional wiring required). SAE-level integrity of electrical circuit. Starting Fluid Cylinder is included.

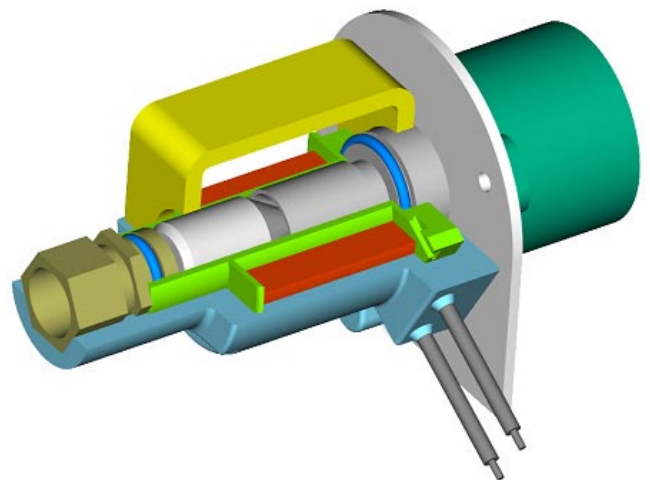
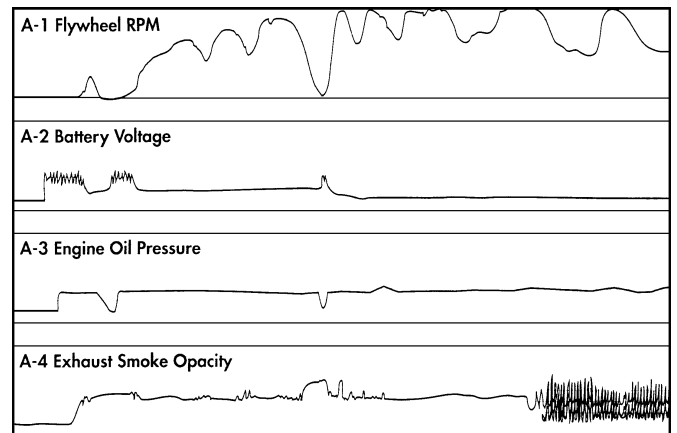
Part Number	Description
64084	24-Volt DIESELMATIC NVT System Kit
24031	24-Volt KOMPAC DIESELMATIC NVT System Kit
62121	12-Volt DIESELMATIC NVT System Kit
22110	12-Volt KOMPAC DIESELMATIC NVT System Kit

Contact KBI direct at (800) 527-8278 for additional applications.

Engine Cold Starting Performance Oscillograph Chart, With DIESELMATIC NVT



Engine Cold Starting Performance Oscillograph Chart, Without DIESELMATIC NVT



Cross-Section View of a DIESELMATIC NVT Valve

**Call (800) 527-8278 and Order Your
DIESELMATIC NVT System Kit Today!**

KBI KOLD-BAN INTERNATIONAL, LTD., 8390 PINGREE ROAD, LAKE IN THE HILLS, IL 60156-9637 U.S.A.,
(800)527-8278, (847)658-8561, Fax (847)658-9280, www.koldban.com